

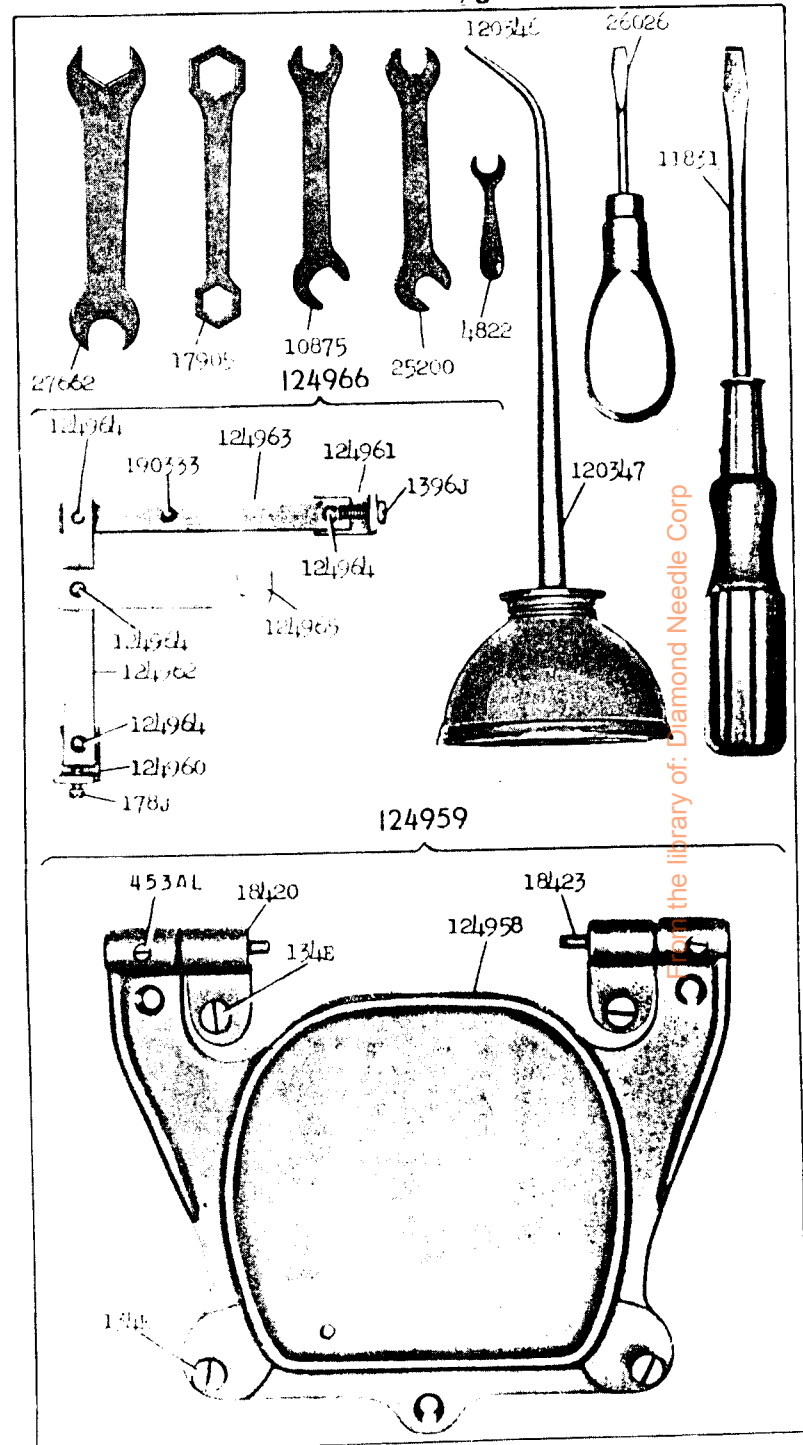
Form 20484
(152)
Printed in U.S.A.

LIST
OF
PARTS

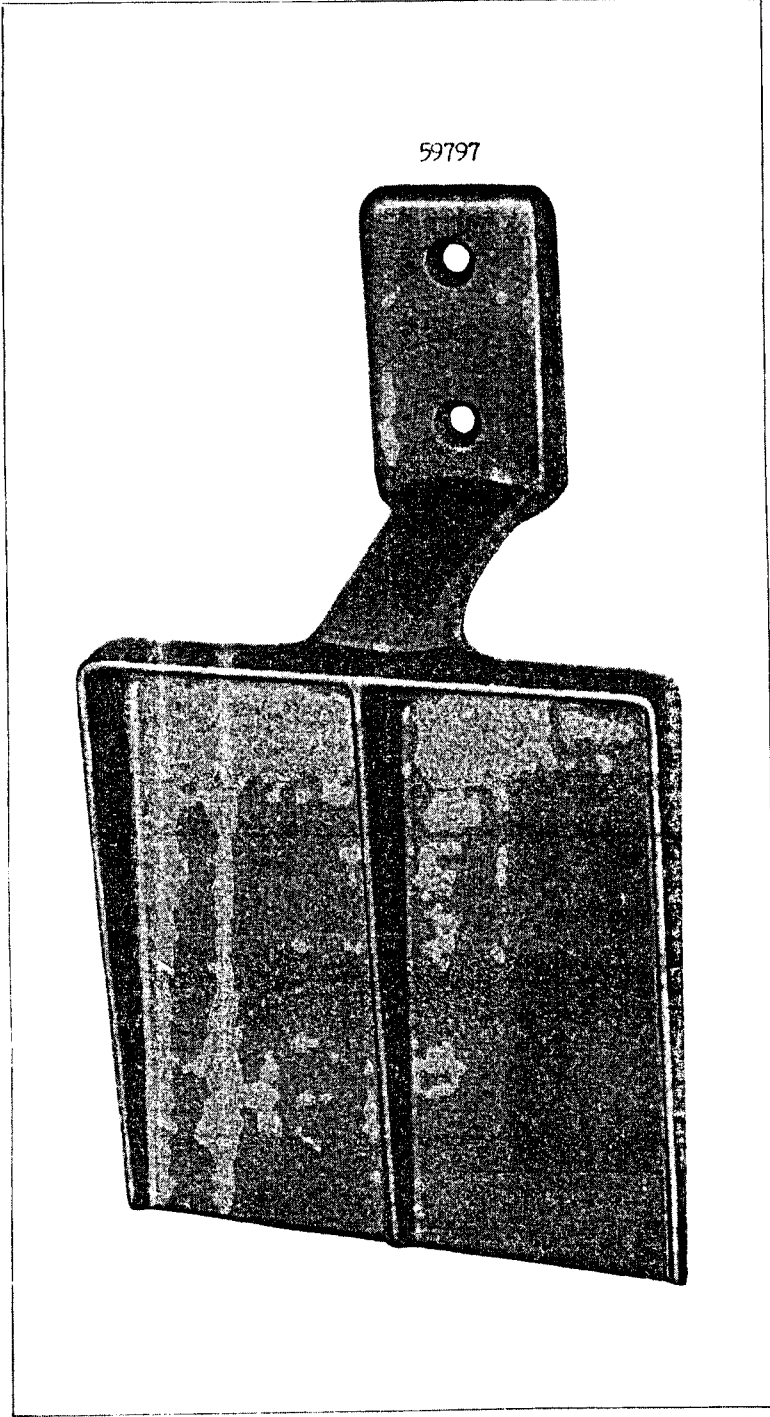
MACHINES
Nos. 114-50 to 114-54

** A TRADE MARK OF
THE SINGER COMPANY

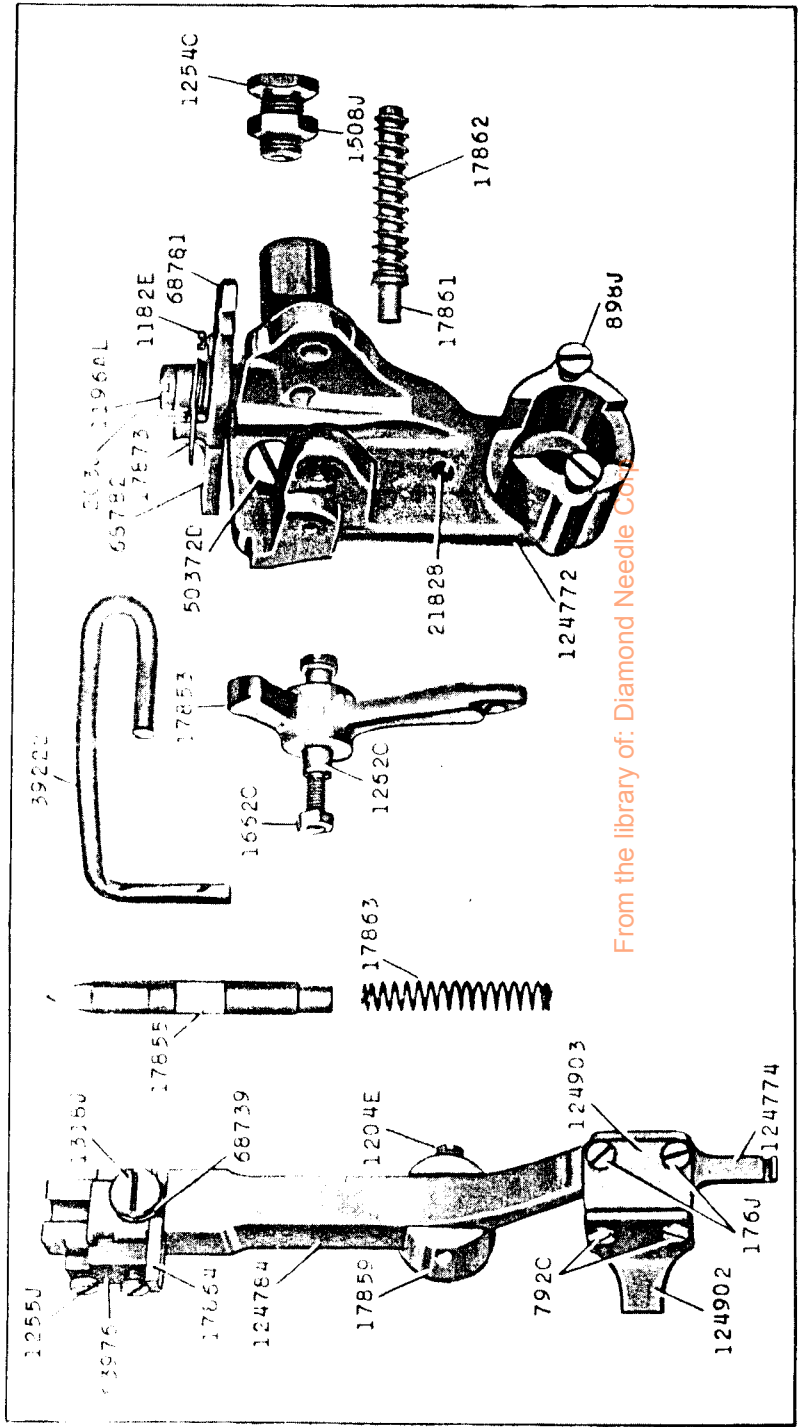
From the library of: Diamond Needle Corp



23174 - 1/2

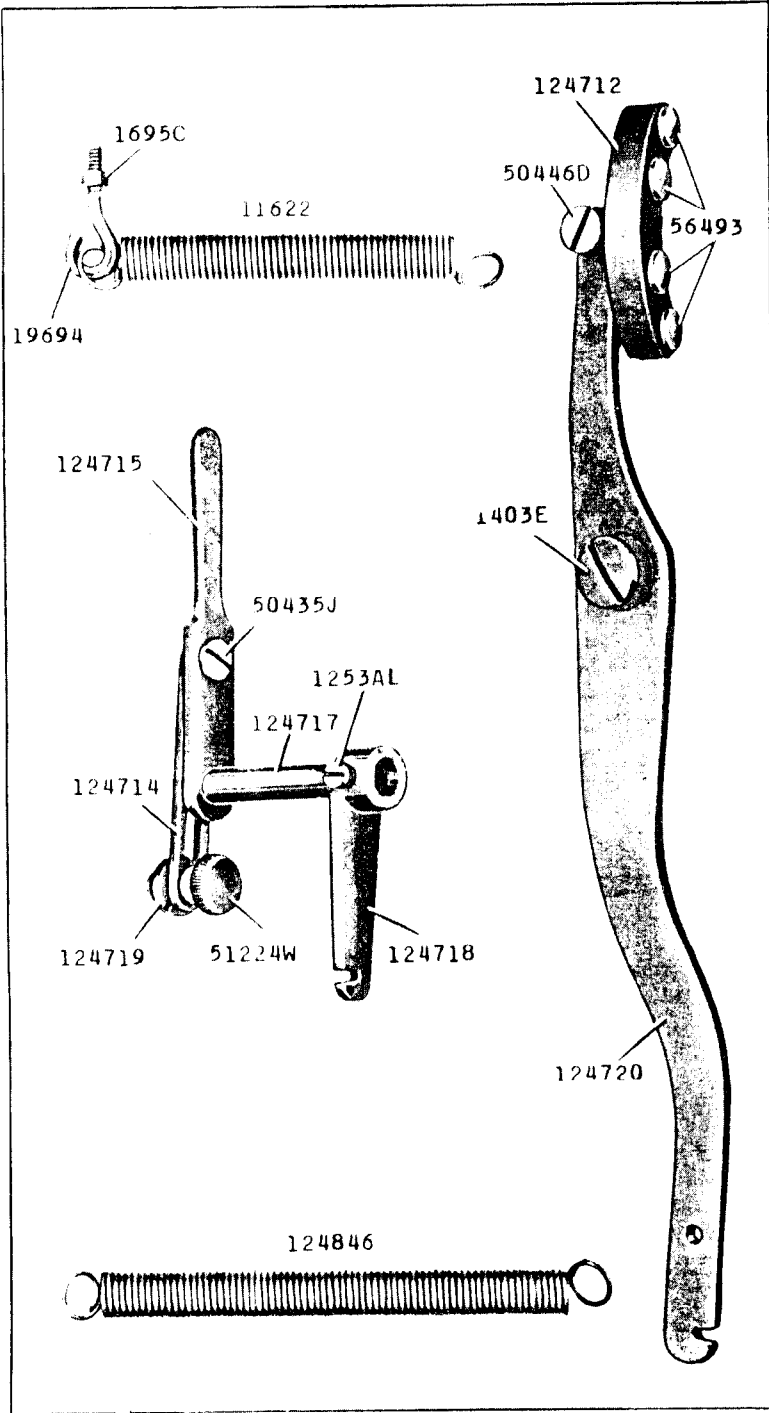


23195 - 2/3

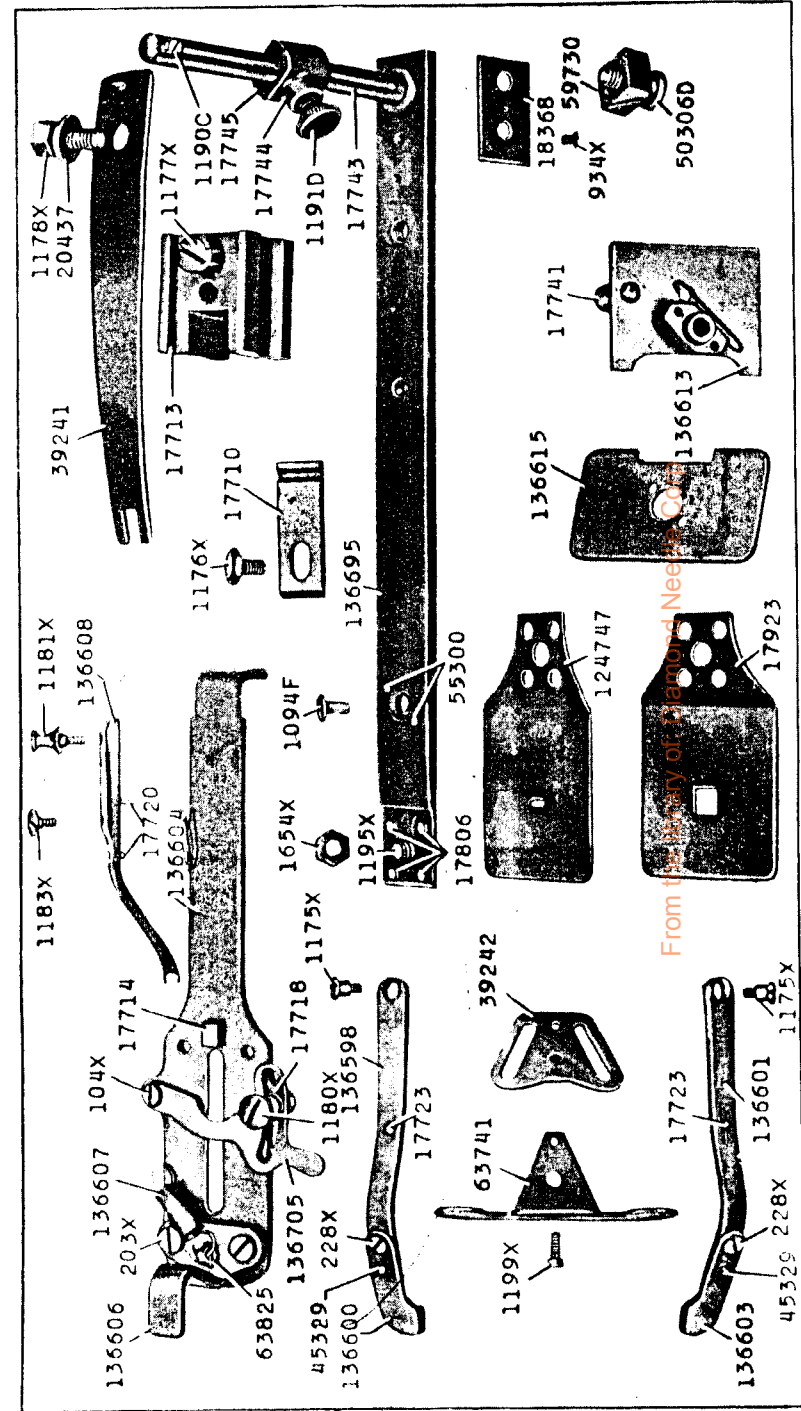


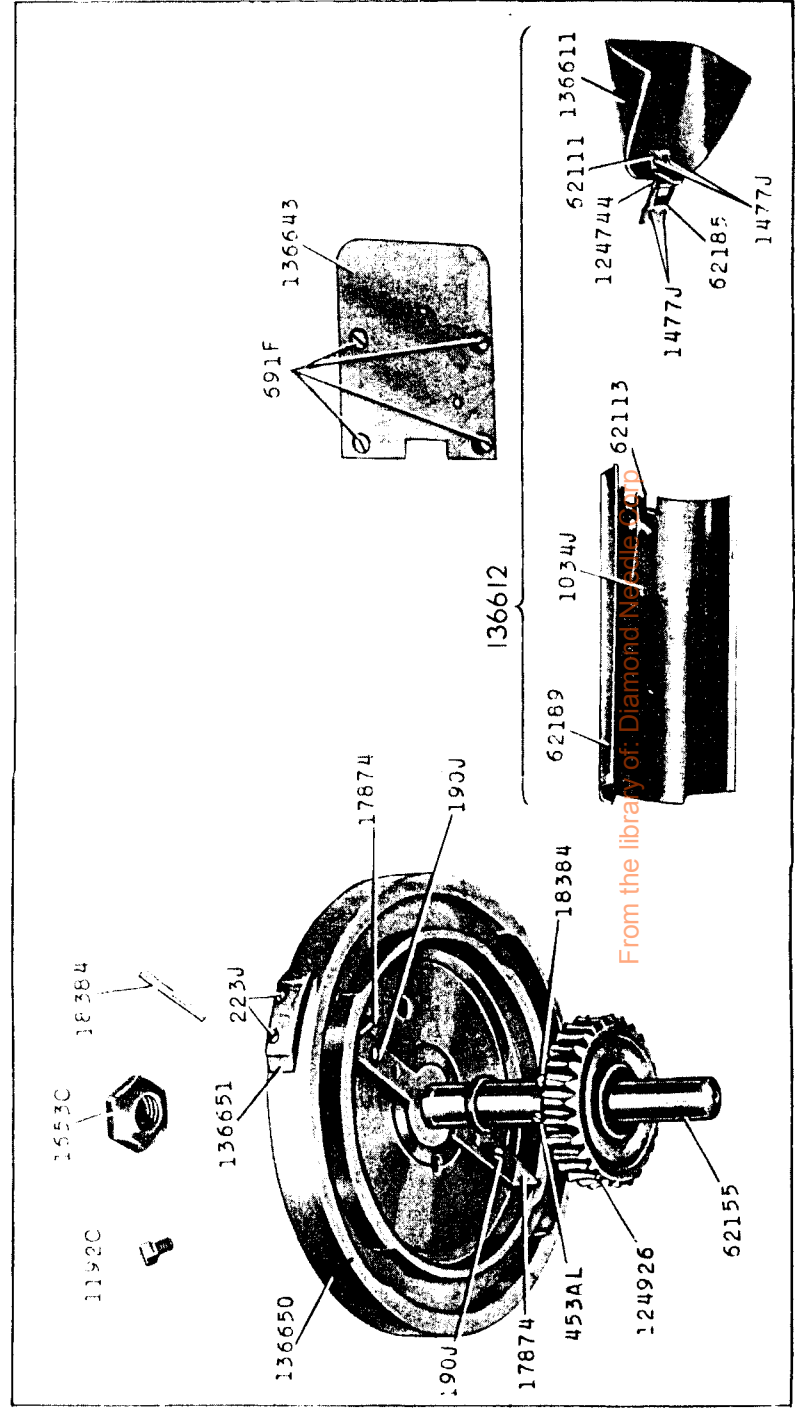
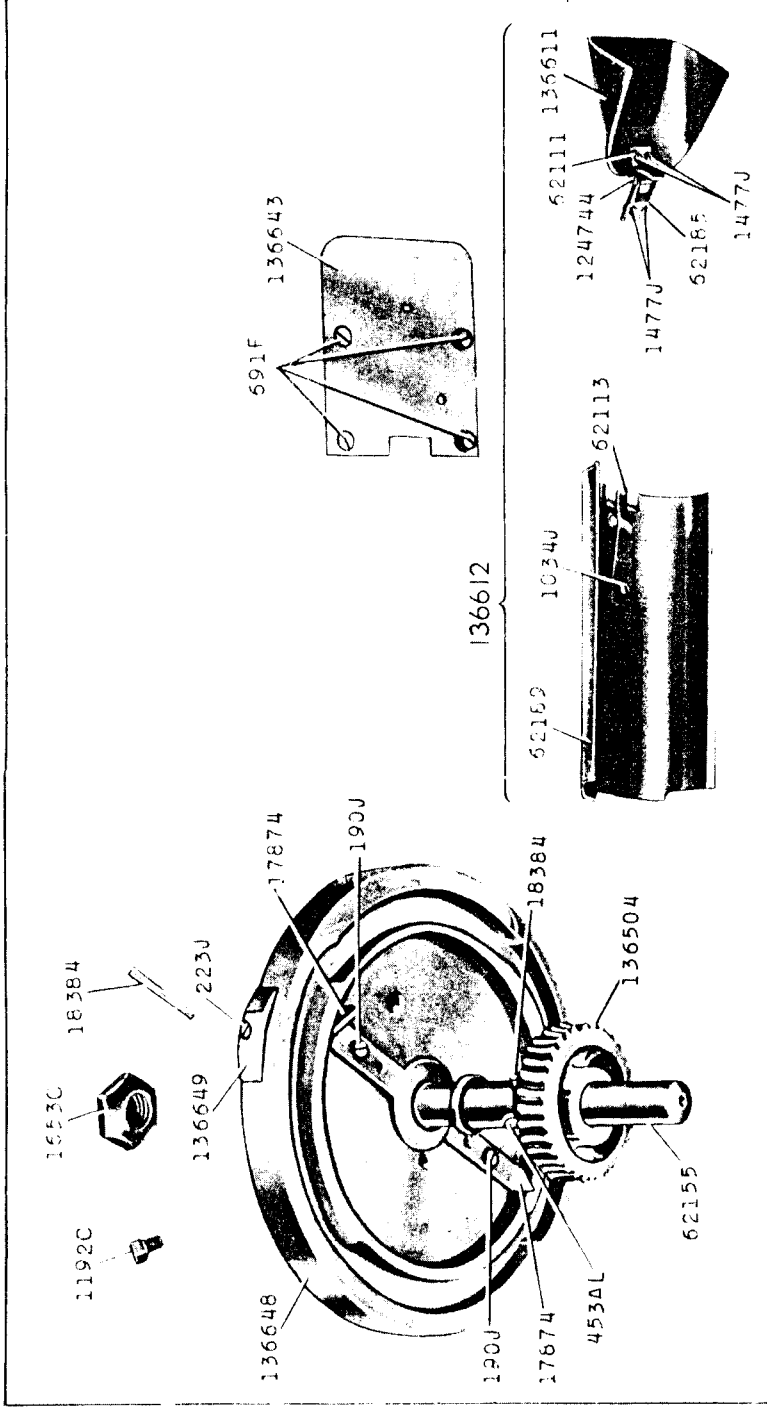
From the library of: Diamond Needle Corp

23196 - 2/3



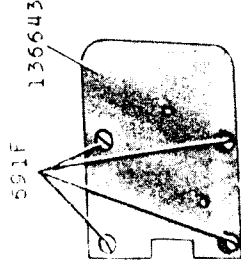
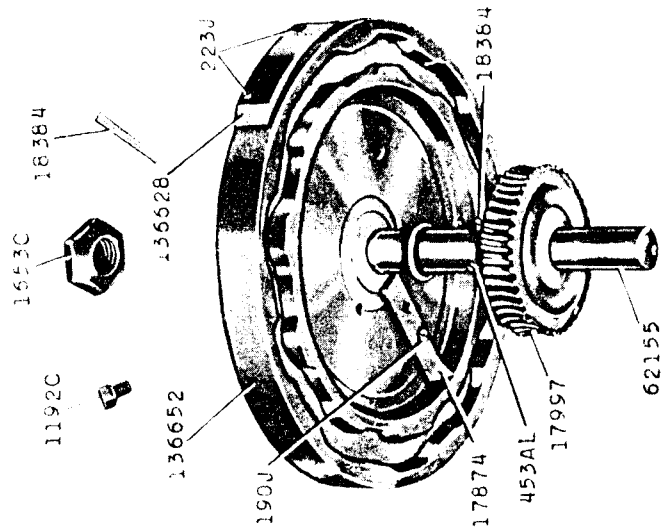
23197 - 1/2



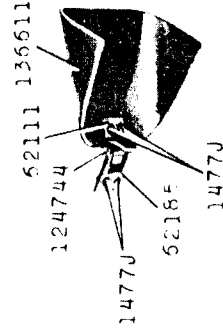
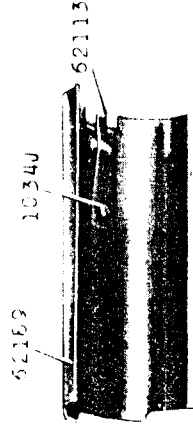


25273-1/3

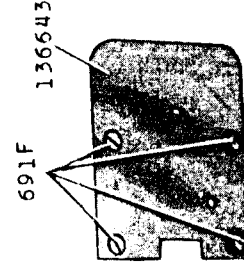
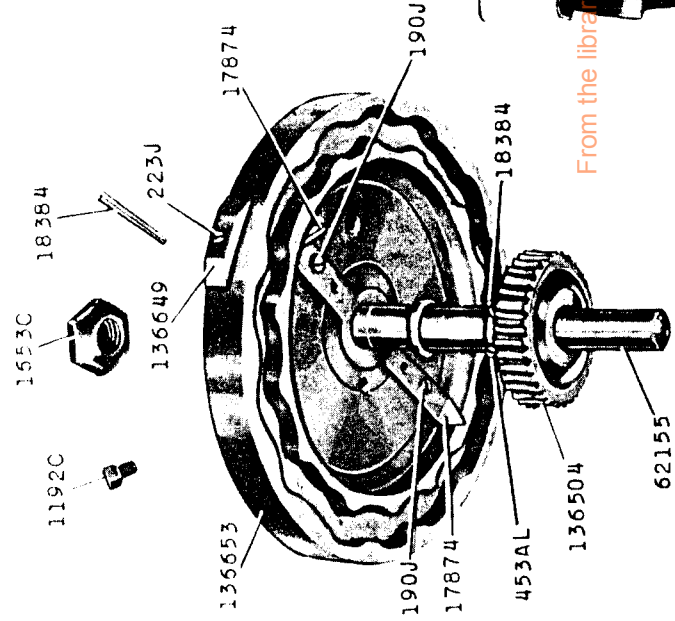
114-53



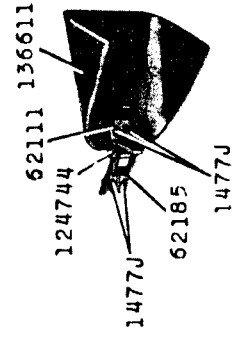
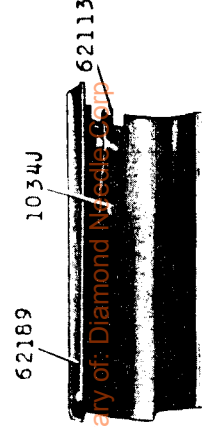
136612



25274-1/3

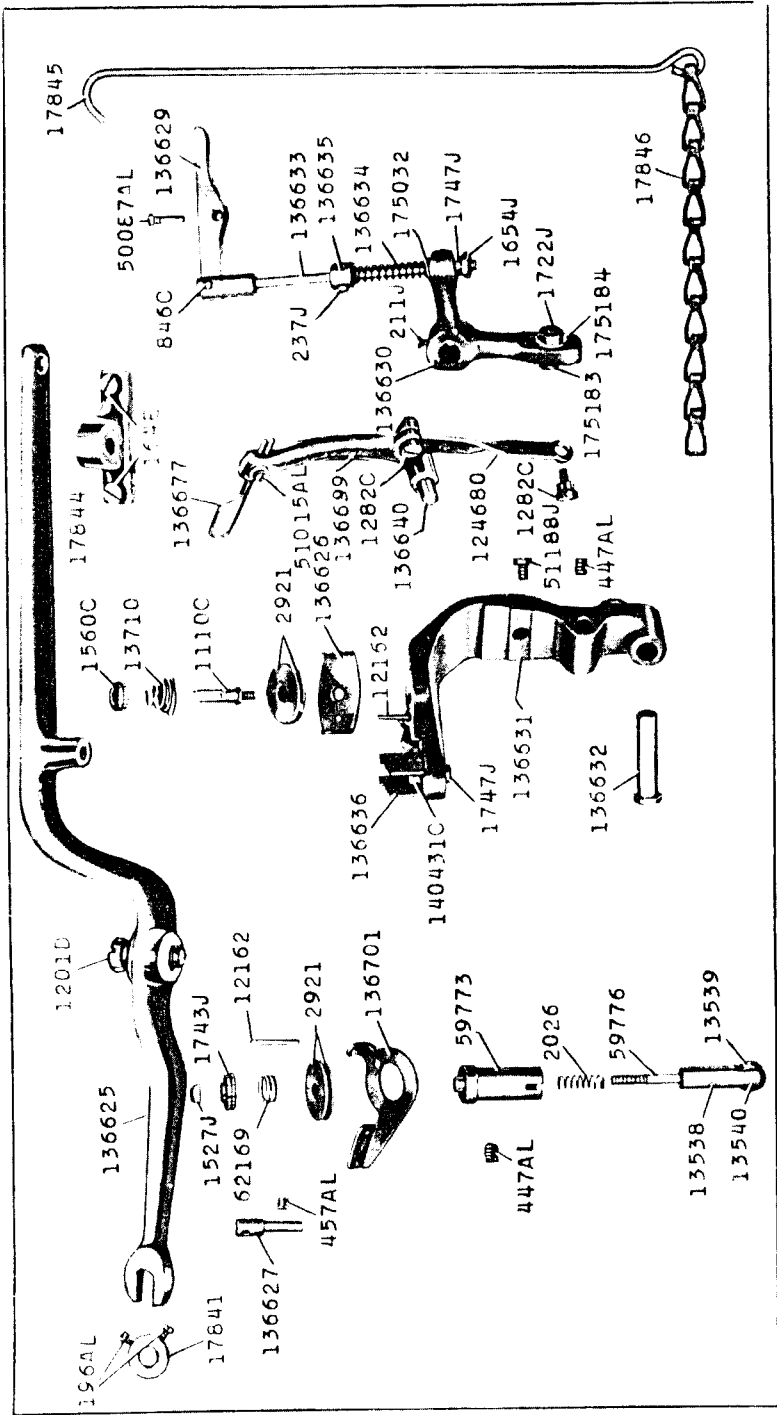


136612

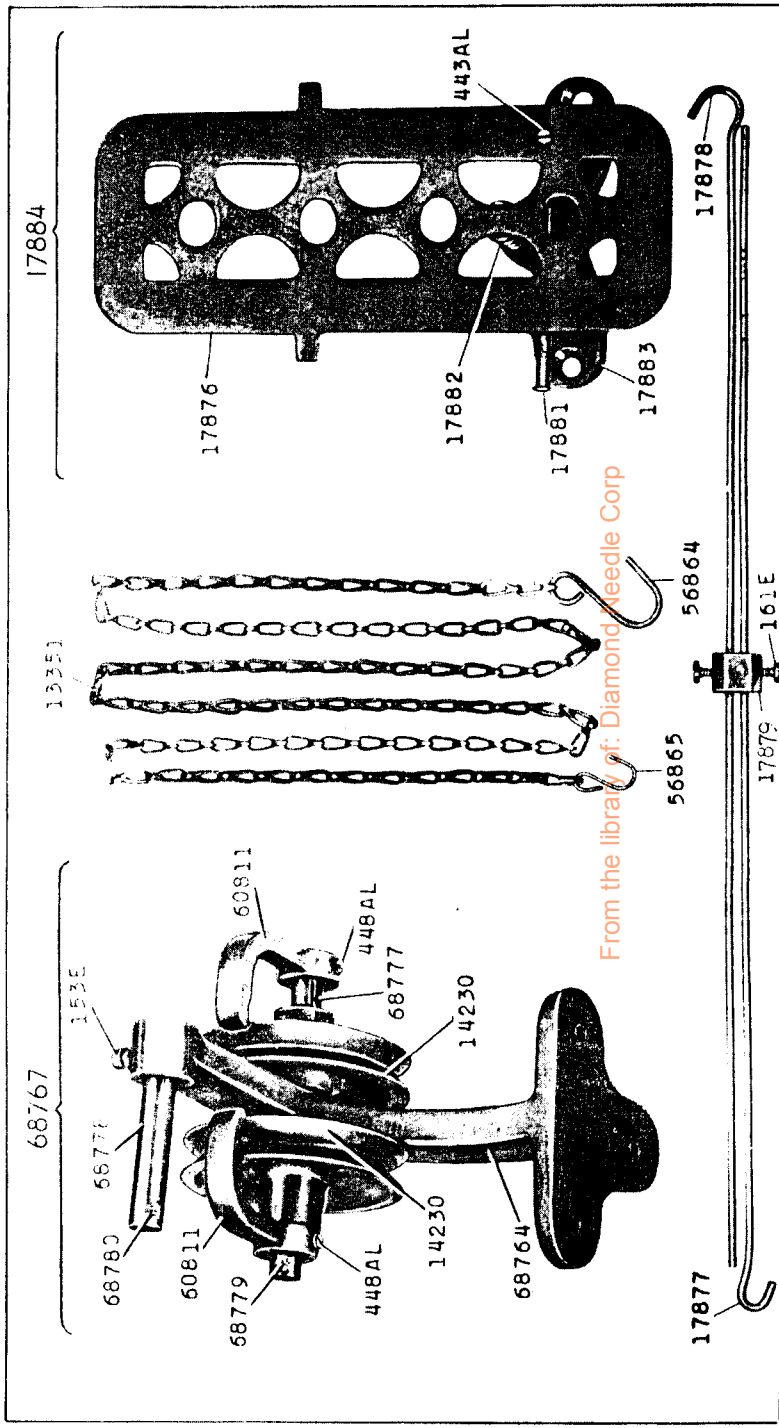


From the library of: Diamond Motor Corp

25275-1/3



25276-1/3



From the library of: Diamond Needle Corp